

SaniUV-Cube™

GERMICIDAL ULTRAVIOLET DISINFECTION CABINET



Owner's Manual



**ATLANTIC ULTRAVIOLET
CORPORATION®** SINCE 1963

Manufacturers / Engineers / Sales / Service
Germicidal Ultraviolet – Equipment & Lamps

375 Marcus Boulevard, Hauppauge, NY 11788
(631) 273-0500 • Fax: (631) 273-0771
Email: Sales@AtlanticUV.com

Shop Products at
AtlanticUltraviolet.com

Learn More at **Ultraviolet.com**



Installation, Operation & Maintenance

**Read and Follow All
Safety Instructions.
Save These Instructions.**

TABLE OF CONTENTS

SAFETY WARNINGS.....	3
SAFETY INSTRUCTIONS.....	3
SAFETY LABELING.....	3
CAUTION.....	3
PRODUCT FEATURES.....	4
CONSTRUCTION.....	4
PRINCIPLE OF OPERATION.....	5
LIMITATION OF USE.....	5
UNPACKING.....	6
DIMENSIONAL DATA.....	6
INSTALLATION.....	7
LAMP INSTALLATION.....	7
UNIT PLACEMENT.....	7
KEYPAD CONTROLLER OVERVIEW AND USE.....	8
MAINTENANCE.....	9
MAINTENANCE OVERVIEW.....	9
REQUIRED SUPPLIES.....	9
CLEANING OF REMOVABLE QUARTZ SHELVES.....	9
LAMP CLEANING AND/OR REPLACEMENT.....	9-10
CLEANING THE INTERIOR OF THE SaniUV-Cube™	10
CLEANING OF INTAKE AND EXHAUST FILTERS.....	10
LAMP BREAKAGE.....	11
DISPOSAL OF MERCURY ADDED LAMPS.....	11
TECHNICAL SPECIFICATIONS.....	11
REPLACEMENT PARTS.....	11
MAINTENANCE LOG.....	12-15
USER ASSISTANCE.....	16
PATENT NOTICE.....	16
WARRANTY & PRODUCT REGISTRATION.....	16


These instructions generally describe the installation, operation and maintenance of the **SaniUV-Cube™** Germicidal Ultraviolet Disinfection Cabinet. Questions that are not specifically answered by these instructions should be directed to the Factory. Atlantic Ultraviolet Corporation® takes all possible precautions when packaging equipment to prevent damage. Carefully inspect and report all damages. Do not install damaged equipment. Follow all instructions on any labels or tags. Carefully inspect all packing materials before discarding to prevent the loss of accessories, mounting hardware, spare parts or instructions.


The information and recommendations contained in this publication are based upon data collected by the Atlantic Ultraviolet Corporation® and are believed to be correct. However, no guarantee or warranty of any kind, expressed or implied, is made with respect to the information contained herein. Specifications and information are subject to change without notice.





SAFETY WARNINGS


- All personnel should be alerted to the potential hazards indicated by the product safety labeling on this unit.
- The following conventions are used to indicate and classify precautions in this manual and on product safety labeling. Failure to observe precautions could result in injury to people or damage to property.

 This is the safety alert symbol. It is used to alert you to potential personal injury hazards. Obey all safety messages that follow this symbol to avoid possible injury or death.

 **DANGER** Danger indicates an **IMMINENTLY** hazardous situation, which, if not avoided, **WILL** result in death or serious injury.


 **WARNING** Warning indicates a **POTENTIALLY** hazardous situation, which, if not avoided, **COULD** result in death or serious injury.


 **CAUTION** Caution indicates a **POTENTIALLY** hazardous situation, which, if not avoided, **MAY** result in minor or moderate injury.


 **CAUTION** Caution used without the safety alert symbol indicates a potentially hazardous situation, which, if not avoided, may result in property damage.


 This symbol is used to identify an **ELECTRICAL SHOCK** or **ELECTROCUTION** hazard.

 This symbol is used to identify a **GERMICIDAL ULTRAVIOLET LIGHT** hazard.

 This symbol is used to identify the need to wear approved germicidal ultraviolet blocking eyewear.





 This symbol is used to identify the need to wear approved germicidal ultraviolet blocking face shield.

 This symbol is used to identify the need to wear protective gloves.

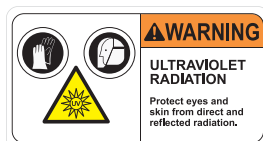
 This symbol is used to identify components which must not be disposed of in trash

SAFETY INSTRUCTIONS

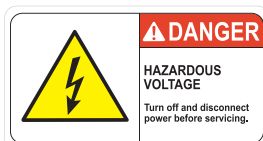
 **WARNING** To guard against injury, basic safety precautions should be observed, including the following:

1. Read and follow **ALL** safety instructions.
2. The **SaniUV-Cube™** is intended for indoor use in a clean, dry environment with an ambient operating temperature between 40°F to 100°F.
3. Do not use the **SaniUV-Cube™** for other than its intended purpose as described in this manual.
4. Do not alter design or construction.
5. Do not remove any labels or devices.
6.  **CAUTION** **Do NOT override safety interlock.**
7.  **WARNING** Avoid exposure to direct or reflected germicidal ultraviolet rays. Germicidal ultraviolet rays are harmful to the eyes and skin.
8.  **DANGER** **Always disconnect power before performing any service or maintenance.**
9. Do not operate the **SaniUV-Cube™** if there is visible or suspected damage to the unit or its power cord.
10. Electrical power supplied to the **SaniUV-Cube™** **MUST** match power requirements listed on the units label.
11. The **SaniUV-Cube™** should only be connected to an approved ground fault circuit interrupt (GFCI) receptacle.
12.  **WARNING** **Do not operate without proper electrical ground.**
13. Read and follow all notices and warnings on the **SaniUV-Cube™**.
14. **SAVE THESE INSTRUCTIONS.**

SAFETY LABELS



Danger: UV-C Radiation (70-0052A)



Danger: Hazardous Voltage (70-0053)



Warning Germicidal UV (70-0037)



Hg - Lamp Contains Mercury (70-0011)



Location of Safety Labels (Rear of Unit)

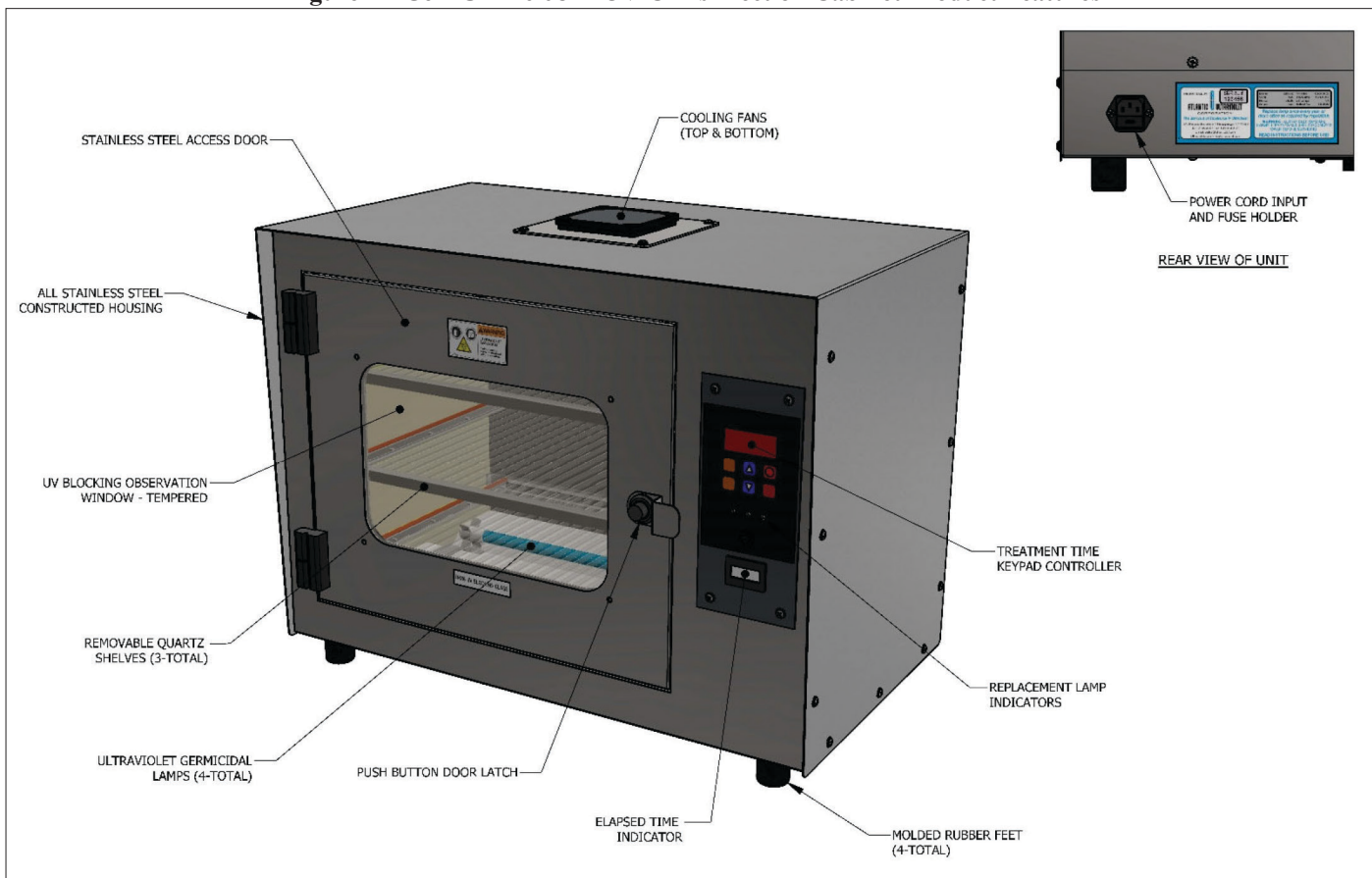
CAUTION

It is the user's responsibility to determine and validate the suitability of this equipment for use in the user's system or process. No warranty or representation is made by the manufacturer with respect to suitability or performance of this equipment or to the results that may be expected from its use. The user should periodically inspect, clean as necessary and confirm the presence and good legibility of the product safety labels. Contact the factory for replacement labels in the event that any of the labels are missing or illegible.

PRODUCT FEATURES

CONSTRUCTION

Figure 1 – SaniUV-Cube™ UV-C Disinfection Cabinet Product Features



The **SaniUV-Cube™** is a self-contained ultraviolet surface sanitizer treatment cabinet consisting of:

- **Stainless Steel Constructed Cabinet:** A housing constructed from stainless-steel type 304 provides strength, durability, and lasting value.
- **Stainless Steel Access Door:** Constructed from stainless-steel type 304, the access door is made with a clear observation tempered glass window, which provides visual inspection of the process while blocking germicidal ultraviolet exposure.
- **Unique Removable Quartz Shelves:** Engineered quartz rods mounted within a stainless-steel frame ensure unimpeded germicidal ultraviolet energy reaches all items placed within the cabinet.
- **STER-L-RAY® Germicidal Ultraviolet Lamps:** Deliver germicidal ultraviolet energy at the specific wavelength of 254 nanometers (nm). This wavelength is highly effective against microbes including viruses, bacteria, and mold spores.
- **Surelite™ Electronic Ballasts:** Capable of operating the **STER-L-RAY®** Germicidal Ultraviolet Lamps at peak output performance.
- **Elapsed Time Indicator:** A non-resettable display of the operating hours. Useful for scheduling and recording maintenance as well as lamp replacement.
- **Interlock Safety Switch:** In order to protect from ultraviolet exposure, tamper-proof interlock switch interrupts power to the lamps when the door has been opened.
- **Treatment Time Keypad Controller:** Simple-to-use keypad controller provides easy operation of device while displaying and counting down remaining treatment time. See **Figure 7 on Page 8** for an overview.
- **Lamp Replacement Indicators:** Three LED indicators ensure lamp life is properly maintained. Green indicates lamps are good. Yellow indicates lamp replacement is required in 500 hours. Red indicates lamps have operated over 5,000 hours and should be replaced.
- **Molded Rubber Feet:** Ensure firm non-skid contact and scratch protection of surfaces while reducing noise transfer and providing support to the cabinet.
- **Cooling Fans:** Bottom intake and top exhaust fan cool unit to ensure proper lamp temperature is maintained during operation.
- **Power Cord / Fuse Holder:** A standard NEMA 5-15, three-prong plug which operates on 120v AC 50/60Hz single-phase standard household current. Protected by a replaceable 5 amp, fast-acting fuse.

PRINCIPLE OF OPERATION

The **SaniUV-Cube™** design has been carefully conceived to provide a uniform ultraviolet germicidal dosage throughout the disinfection cabinet. The UV intensity (the amount of energy emitted by the **STER-L-RAY®** Germicidal Lamps) can be expressed in microwatts per square centimeter ($\mu\text{W}/\text{cm}^2$) or millijoules per square centimeter (mJ/cm^2).

CAUTION A one-minute treatment time period can result in a dose greater than $190,000\mu\text{W sec}/\text{cm}^2$ but results are subject to variations in application conditions. Therefore, we recommend that culture tests be used or performed to confirm desired outcomes.

1. Cleaned items are carefully placed inside the disinfection cabinet on the shelves, arranged in a position to ensure all surfaces of the items are exposed to direct germicidal ultraviolet rays, and the door is then closed.
2. A treatment time is entered using the keypad controller, and the start button on the keypad is pressed.
3. The unit counts down the remaining treatment time, beeps, automatically disconnects power to the lamps, and displays the word “done” when treatment time has been completed.

CAUTION It is the user’s responsibility to determine and validate the suitability of the **SaniUV-Cube™** use in their process or procedure. No warranty or representation is made by the manufacturer with respect to suitability or performance of this equipment or to the results that may be expected from its use.

CAUTION **Indoor Use Only:** The **SaniUV-Cube™** is intended for indoor use in a clean, dry environment with an ambient operating temperature between 40°F to 100°F. The user should periodically inspect, clean as necessary, and confirm the presence and good legibility of the product safety labels. Contact the factory for replacement labels, in the event that any of the labeling is missing or illegible.

LIMITATION OF USE

The **SaniUV-Cube™** is intended for the use on visually clean, dry, debris-free items like non-critical medical devices, mobile devices such as phones or tablets, n95 masks, tools, books, and general items like keys, glasses, and writing instruments.

NOTE: the UV-C rays will not penetrate ordinary glass.

CAUTION Plastic or cloth materials may fade, discolor, or degrade overtime. For items like this, we recommend limiting exposure times or testing to determine if a noticeable change occurs after treatment.

CAUTION The **SaniUV-Cube™** is intended for use on **INANIMATE OBJECTS ONLY**. Under no circumstances should this device be permitted to operate with anything living (plants, animals, etc.) inside the cabinet.

UNPACKING



IN ORDER TO PERFORM THIS TASK, BE SURE TO WEAR THE FOLLOWING SAFETY EQUIPMENT: SAFETY GLASSES OR A FACE SHIELD, AS WELL AS GLOVES

Remove the **SaniUV-Cube™** Germicidal Ultraviolet Disinfection Cabinet from its shipping carton. Atlantic Ultraviolet Corporation® takes all possible precautions when packing this fixture to prevent damage. Carefully inspect the disinfection cabinet, power cord, quartz shelves, and lamps for damage. Report all damage immediately. Do not assemble or operate the cabinet if there is any damage, visible or suspected.

STER-L-RAY® Germicidal Lamps and quartz shelves are packed separately to ensure maximum protection. Keep both the lamps and quartz shelves aside until ready for installation.

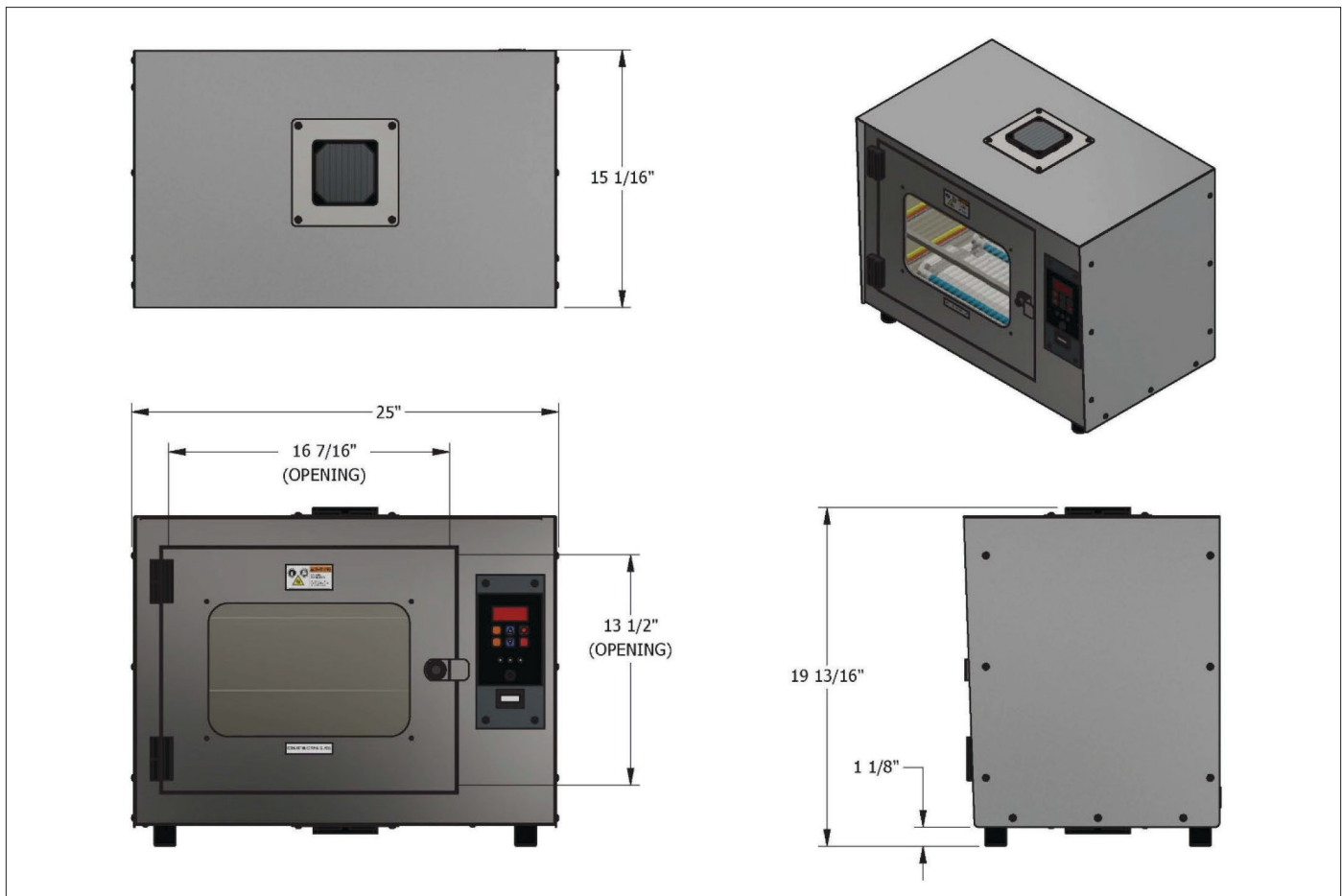
Carefully inspect all packing materials to prevent the loss of accessories, hardware, spare parts, or instructions. Do not discard packing materials until the disinfection cabinet is assembled and inspection is complete.

The **SaniUV-Cube™** includes:

- (1) Stainless Steel Cabinet
- (4) **STER-L-RAY®** Germicidal Ultraviolet Lamps
- (3) Stainless Steel Frame Quartz Shelves
- (1) Power Cord
- (1) Owner's Manual

DIMENSIONAL DATA

Figure 2 – Dimensional Data



All specifications, dimensional data, etc are approximate and subject to change without notice.

INSTALLATION



IN ORDER TO PERFORM THIS TASK, BE SURE TO WEAR THE FOLLOWING SAFETY EQUIPMENT: SAFETY GLASSES OR A FACE SHIELD, AS WELL AS GLOVES.

⚠ WARNING Always disconnect power to the fixture before performing any service or maintenance.

⚠ CAUTION Ultraviolet lamps are easily damaged and may cause injury if broken. Exercise care when handling.

LAMP INSTALLATION

1. Disconnect power to the **SaniUV-Cube™**.
2. Open Front Access Door using the Push-Button Door Latch.
3. Remove stainless steel Quartz Shelves from inside the **SaniUV-Cube™**.
4. Carefully examine the pin configuration on the lamp base (**Figure 3**) to ensure the lamp is installed correctly into the lamp holder (**Figure 4**).
5. Holding the lamp so that its pin configuration matches the lamp holder, carefully push the lamp into the connector (**See Figure 5**).
6. Once the lamp is securely seated into the connector, carefully push it into the end support on the opposite end (**See Figure 6**).
7. Repeat until all **STER-L-RAY®** lamps have been installed into the cabinet. Re-install stainless steel Quartz Shelves, close the Front Access Door, and restore the power to the **SaniUV-Cube™**.

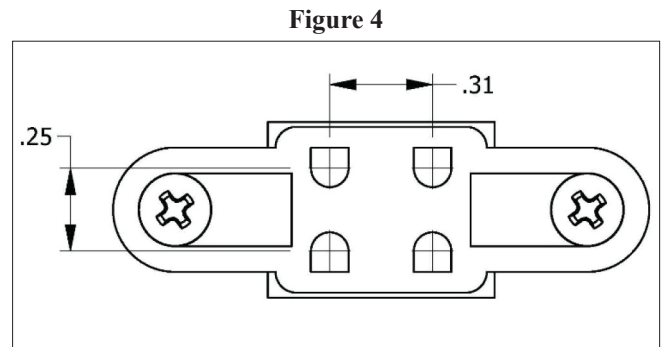
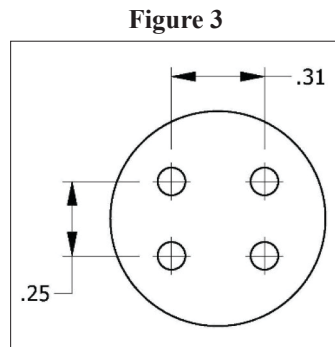


Figure 5

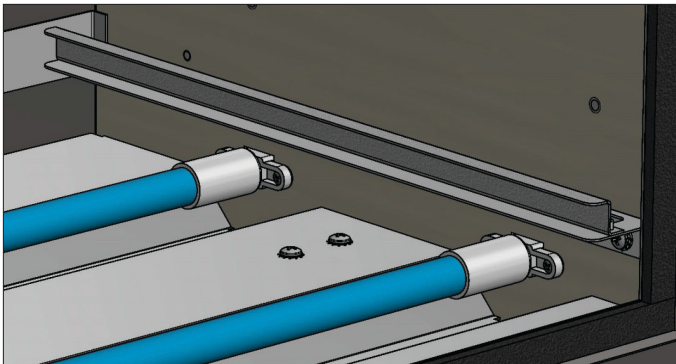
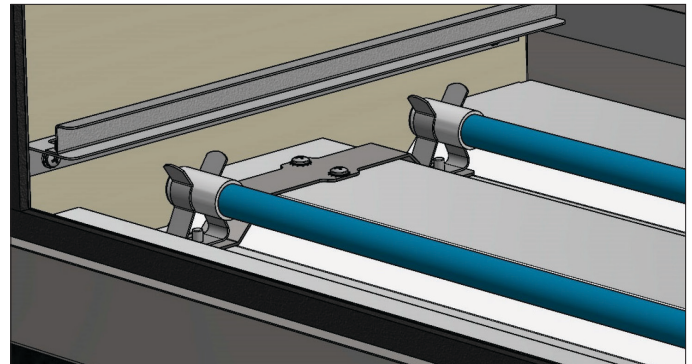


Figure 6



UNIT PLACEMENT

The **SaniUV-Cube™** Germicidal Ultraviolet Disinfection Cabinet is intended for **INDOOR USE ONLY**. The cabinet should be protected from liquid intrusion such as dripping water, condensation, or mist, and used only in a clean, dry, dirt-free, and well-lit location with a temperature range between 40°F to 100°F.

The unit is designed to be placed on a clean, horizontal flat surface capable of supporting a minimum of 60 lbs. (Actual unit weight is 58 lbs.).

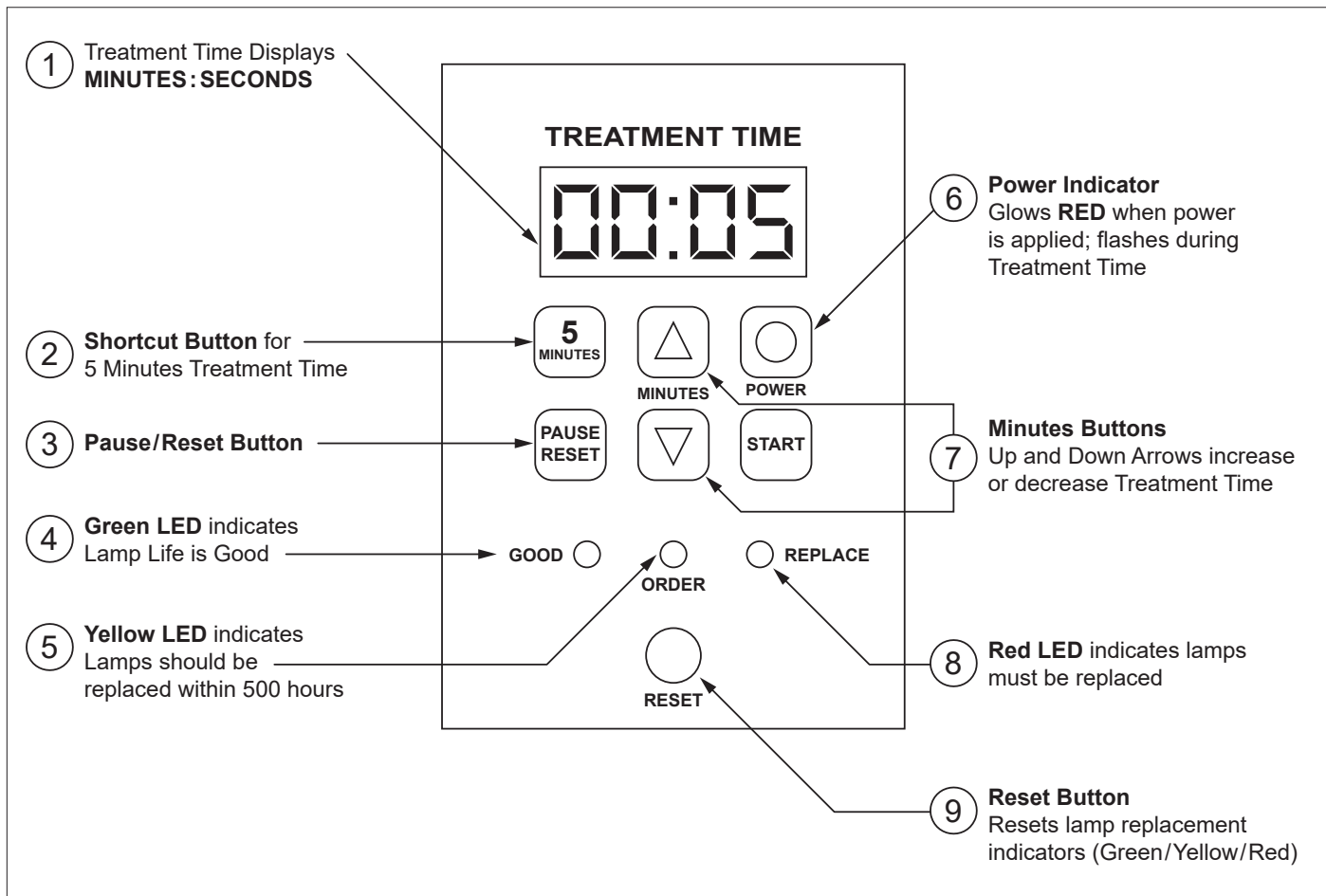
The cabinet should be connected to an approved ground fault circuit interrupt (GFCI) receptacle located within 8 feet of the unit's location. The selected location should allow enough space for free air to enter the intake cooling fan on the bottom and exit on the top of the **SaniUV-Cube™**. **NOTE:** Any obstruction that would hinder or reduce smooth air flow in and out of the unit could cause the unit to overheat.

Additionally, the location should allow adequate room for the Front Access Door to swing freely.

CAUTION The **SaniUV-Cube™** is intended for use on **INANIMATE OBJECTS ONLY**. Under no circumstances should this device be permitted to operate with anything living (plants, animals, etc.) inside the cabinet.

KEYPAD CONTROLLER OVERVIEW AND USE

Figure 7 – Keypad Controller



1. **Treatment Time:** Displays chosen treatment time which will countdown after start is selected, when treatment time is completed the word “donE” will be displayed and the unit beeps (3) times.
2. **Shortcut 5-Minute Treatment Time Button:** By selecting, allows for a pre-set 5 Minute Treatment time.
3. **Pause / Reset Button:** Selecting once, interrupts the selected treatment time and toggles display between the word “PAUS” and the balance of time left before using the pause button. Use the “START” button to finish balance of time. Selecting a second time, returns the treatment time back to the original time selected.
4. **Green LED Indicator:** Indicates the **STER-L-RAY**[®] lamps are in good lamp life condition.
5. **Yellow LED Indicator:** Indicates the **STER-L-RAY**[®] lamps should be replaced within the next 500 hours
6. **Power Indicator:** Glows RED when power is applied to the **SaniUV-Cube**[™], and flashes during treatment time.
7. **Minutes Buttons:** Up and Down arrows are used to select treatment times between 1 minute and 60 minutes. One hour is displayed as 01:00.
8. **Red LED Indicator:** Indicates the **STER-L-RAY**[®] lamps need to be replaced. This occurs when lamps have been operated for a total of 5000 hours.
9. **Reset Button:** Depressing and holding this button, clears the lamp life countdown and sets the lamp life LED indicators back to ZERO. (Ref: Green/Yellow/Red). To reset lamp life indicators, hold button down until the three LEDs (Green, Yellow, & Red) flash, and Green LED comes back on.

MAINTENANCE

 **⚠️ WARNING** Always disconnect power to the fixture before performing any service or maintenance.

The SaniUV-Cube™ Germicidal Ultraviolet Disinfection Cabinet is designed to operate with a minimal amount of maintenance.

MAINTENANCE OVERVIEW

A regular cleaning cycle of the **STER-L-RAY**® Germicidal Lamps, the cabinet's interior, intake, and exhaust filters **MUST** be established and carefully maintained, based on inspection and experience. The frequency of cleaning will vary with the conditions surrounding each use. It is recommended that the **STER-L-RAY**® Germicidal Ultraviolet Lamps and the cabinet's interior be cleaned at least once every three (3) months.

The **STER-L-RAY**® Germicidal Lamps have a manufacturer's rated average effective life of 10,000 hours. Lamps may operate longer than their rated effective life, but the reduction in the ultraviolet output will make it impractical to use lamps past the manufacturer's rated effective life. For maximum efficiency lamp replacement is recommended every 5,000 hours of continuous operation.

The Lamp Life Replacement Indicator located on the Keypad Controller will monitor the lamp life and provide three different indicators; When the Green LED glows, it indicates good lamp life or normal operation. When the Yellow LED glows, it indicates the lamps should be replaced within the next 500 hours. When the Red LED glows, it indicates the lamps must be replaced.

Unless lamp replacement is due to premature failure or breakage, it is recommended that all lamps be replaced at the same time.

REQUIRED SUPPLIES

- Vacuum Cleaner
- Soft, Clean, Lint-Free Cloth
- Denatured Alcohol

CLEANING REMOVABLE QUARTZ SHELVES



IN ORDER TO PERFORM THIS TASK, BE SURE TO WEAR THE FOLLOWING SAFETY EQUIPMENT: SAFETY GLASSES OR A FACE SHIELD, AS WELL AS GLOVES

 **⚠️ WARNING** Always disconnect power to the fixture before performing any service or maintenance.

⚠️ CAUTION The removable Quartz Shelves are easily damaged and may cause injury if broken. Exercise care when handling.

1. Disconnect power to the SaniUV-Cube™.
2. Open the Front Access Door using the Push Button Door Latch.
3. Carefully remove all three (3) of the Quartz Shelves from the inside of the SaniUV-Cube™.
4. Moisten a clean, lint-free cloth with denatured alcohol and clean all surfaces of the Quartz Shelves.
5. After the Quartz Shelves have been removed and cleaned, safely set them aside. This will provide easier access to the **STER-L-RAY**® Germicidal Lamps.

CLEANING AND/OR REPLACING THE STER-L-RAY GERMICIDAL LAMPS

 **⚠️ WARNING** Always disconnect power to the fixture before performing any service or maintenance.

⚠️ CAUTION Ultraviolet lamps are easily damaged and may cause injury if broken. Exercise care when handling.

1. Disconnect power to the SaniUV-Cube™.
2. Open the Front Access Door using the Push Button Door Latch
3. Make sure the Quartz Shelves have been removed from the SaniUV-Cube™, as outlined above under the section “Cleaning Removable Quartz Shelves” Item 5, and set aside in a safe location until you re-install them. Starting with the front bottom lamp, carefully lift the lamp out of the end support. (See Figure 8).
4. Next, carefully remove the lamp from the lamp holder on the opposite end of the lamp (See Figure 9).

Figure 8

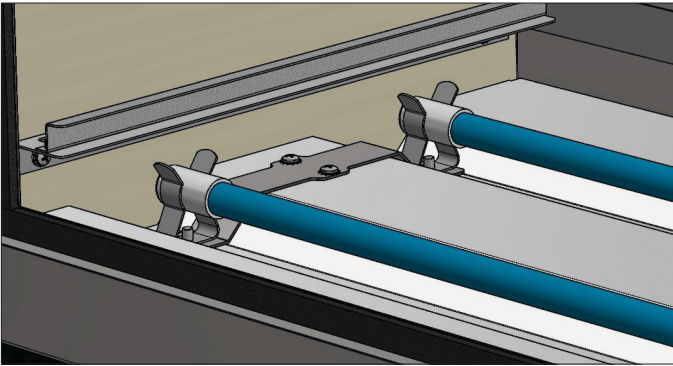
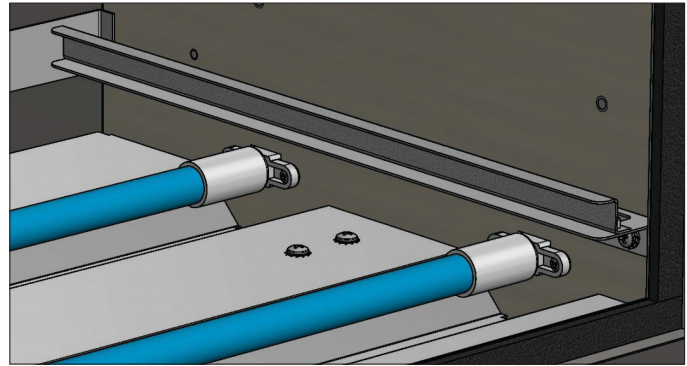


Figure 9



5. Repeat the steps until all lamps have been removed from the **SaniUV-Cube™**.
6. Moisten a clean lint free cloth with denatured alcohol and clean all surfaces of the **STER-L-RAY®** Germicidal Lamps. Set lamps aside in a safe location until you re-install them.

CLEANING THE INTERIOR OF THE SANIUV-CUBE™ UV-C CABINET

⚠ WARNING Always disconnect power to the fixture before performing any service or maintenance.

⚠ CAUTION Ultraviolet lamps and Quartz Shelves are easily damaged and may cause injury if broken. Exercise care when handling.

1. After all the Quartz Shelves and the **STER-L-RAY®** Germicidal lamps have been removed from the **SaniUV-Cube™**, use a vacuum and remove any loose dirt or dust from all surfaces of the interior. **NOTE: that the Specular Aluminum Reflectors located on both the bottom and top surface of the cabinet are easily scratched, so care should be taken not to damage these reflectors when using a vacuum.**
2. Next, moisten a clean lint free cloth with denatured alcohol and clean all surfaces of the interior. Buff out any streaks which may have been left from cleaning using a soft dry lint-free cloth.

CLEANING OF INTAKE AND EXHAUST FILTERS

⚠ WARNING Always disconnect power to the fixture before performing any service or maintenance.

1. With the Quartz Shelves and the **STER-L-RAY®** Germicidal Lamps out of the cabinet, use a vacuum to remove any loose dirt or dust from the Exhaust Cooling Fan located on the top of the cabinet.

CAUTION For the next step, it is highly recommended that at least two (2) individuals capable of lifting the full weight of the cabinet (Ref: 60 lbs.) assist in placing the cabinet off its molded rubber feet on to its back.

2. With two individuals, carefully position the cabinet so it rests on its back, exposing the bottom Intake Cooling Fan. (**NOTE:** the front door of the cabinet is to be facing up.) Vacuum the now exposed bottom Intake Cooling Fan. Once complete, return unit to the upright position on its molded rubber feet.
3. After all surfaces are cleaned, re-install the cleaned **STER-L-RAY®** Germicidal Lamps which had been removed earlier. Be sure to verify each lamp is properly seated into its lamp connector (See “**Lamp Installation**” section for further details).
4. Once all lamps have been re-installed, insert the three (3) cleaned Quartz Shelves which had been removed and cleaned.

LAMP BREAKAGE

CAUTION Broken Quartz is SHARP.



Wear protective gloves when handling broken ultraviolet lamps. In the event of breakage, **DO NOT** use a household vacuum cleaner to pick up fragments of the lamp. Sweep up debris into a plastic bag and dispose of in accordance with local and/or state regulations.

DISPOSAL OF MERCURY ADDED LAMPS



Germicidal ultraviolet lamps, like standard fluorescent lamps contain small amounts of mercury. Mercury added lamps should not be placed in the trash. Dispose of properly. For further information regarding the disposal and recycling of lamps containing mercury, along with Federal and State requirements visit LampRecycle.org. For more information on **STER-L-RAY**[®] Germicidal Ultraviolet Lamps, visit AtlanticUltraviolet.com or Ultraviolet.com.

TECHNICAL SPECIFICATIONS

Table 1 – Technical Specifications

Volts:		120v
Amps:		1.7 A
Hertz:		50/60Hz
Dimensions:	Length: (Inches)	25"
	Width: (Inches)	15-1/16"
	Height: (Inches)	19-13/16"
Lamp Data:	Lamp Quantity:	4
	UV Watts per Lamp:	13 UV Watts
	Total UV Watts per Unit:	52 UV Watts
Ballast Quantity:		4
Unit Weight		58 lbs.
Cabinet Opening		16-7/16" W x 13-1/2" H

All specifications, dimensional data, etc are approximate and subject to change without notice.

REPLACEMENT PARTS

Table 2 – Replacement Parts

Item No.	Description	Part No.
1	STER-L-RAY [®] Germicidal Lamp	05-2022A
2	Surelite [™] Electronic Ballast 120v 50/60Hz	10-0138
3	Lamp Socket	35-1104A
4	Line Cord	35-1754
5	Fuse	35-1546-R
6	Cooling Fan	40-4629A3
7	Fan Filter	40-4632
8	Quartz Shelve	40-4618C1

Other replacement parts are available. Consult Atlantic Ultraviolet Corporation[®] for specific requirements.

MAINTENANCE LOG

Date	Maintenance Performed	Service Person	Comment(s)

USER ASSISTANCE

Atlantic Ultraviolet Corporation® makes every effort to ensure that the **SaniUV-Cube™** Germicidal Ultraviolet Disinfection Cabinet is a product of superior quality and workmanship. This manual describes the installation, operation and maintenance of the **SaniUV-Cube™** Germicidal Ultraviolet Disinfection Cabinet.

Please read and become familiar with the contents of this manual before installing or using this unit. If after reading the manual you still have questions, or concerns, regarding the installation or use of this unit, contact our offices, weekdays between 8:30 am and 5:00 pm Eastern Time, at: Atlantic Ultraviolet Corporation®

375 Marcus Boulevard
Hauppauge, New York, 11788
Tel: (631) 273-0500
Fax: (631) 273-0771
Email: Sales@AtlanticUV.com
Shop: AtlanticUltraviolet.com
Learn More: Ultraviolet.com

PATENT NOTICE

No attempt has been made to determine the patent status of applications illustrated or described in this publication. Inclusion in this publication of any design or method of use, which may be patented, is not to be construed as promoting or sanctioning unauthorized use.

WARRANTY & PRODUCT REGISTRATION

We warrant this product to the original owner to be free from defects in material and workmanship when installed in accordance with Atlantic Ultraviolet Corporation® specifications for a period of time as follows:

UV Water Purifier Chambers – Type 316 stainless steel chambers will have a Twelve (12) year Limited Warranty on the stainless steel chamber, from the date of original purchase while the Type 304 stainless steel chambers will have a Six (6) year Limited Warranty on the stainless steel chamber.

UV Air Disinfection Housing – Three (3) year Limited Warranty on the metal housing, from the date of original purchase.

Ballasts – Three (3) year Limited Warranty, from the date of original purchase.

UV Lamps, Monitoring Devices, Optional Accessories, and Other Parts – One (1) year Limited Warranty from the date of original purchase.

Within the warranty period we shall repair or replace such products, which are returned to us with shipping charges prepaid and which are determined by us to be defective. This warranty will not apply to any product, which has been subjected to misuse, negligence or accident; or misapplied; or modified; or repaired by unauthorized person; or improperly installed. Warranty will be null and void if any of the product’s original labels are removed. This Limited warranty excludes the cost of labor.

The Buyer shall inspect the product promptly after receipt and shall notify us at our main office in writing of claims, including claims of breach of warranty, within thirty (30) days after the Buyer discovers or should have discovered the facts upon which the claim is based. Failure of the Buyer to give written notice of a claim within the time period shall be deemed to be a waiver of such claim.

The provisions of the above warranty are our sole obligation and exclude all other remedies or warranties, expressed or implied, including warranties of merchantability and fitness for a particular purpose, whether or not purposes or specifications are described herein. We further disclaim any responsibility whatsoever to the customer, or to any person for injury to person, damage to, or loss of property or value caused by any product which has been subjected to misuse, negligence, accident; or modified or repaired by unauthorized persons; or improperly installed.

Under no circumstances shall the Company be liable for any incidental, consequential or special damages; losses or expenses arising from the contract for this product, or in connection with the use of, or inability to use, our product for any purpose whatsoever.

Be sure to register your product and validate purchase within 30 days –registration is simple and will take less than 2 minutes to do.

NOTE – failure to register your purchase may jeopardize warranty.

Go to AtlanticUltraviolet.com and scroll down to the bottom of the page, under “Trust” click the “Warranty Registration Form”, complete and click “Submit”. Or click on “Warranty Registration PDF” to download the warranty registration card as a PDF, complete and mail to us at 375 Marcus Boulevard, Hauppauge, NY 11788, or simply fax to (631) 273-0771. If you prefer to register by phone, please call (631) 273-0500 and our customer service staff will be glad to assist you.

For your convenience, record the following information below. The model and serial number can be found on a label located on the **SaniUV-Cube™** Germicidal Ultraviolet Disinfection Cabinet. Keep this manual, along with proof of purchase, handy when contacting our offices.

Purchased From:	Date:
Model:	Serial No.: